

Handcrafted Stoneware

ASH# 90155 • SAGE# 68108 • PPA# 594390 • UPIC# SHS



Made in America
Attractive. Functional. Timeless.



Permanently cast your logo in stone(ware)!

Logo'd stoneware mugs act as a lifelong billboard for your brand—providing ongoing value and functionality. This valued keepsake makes them ideal for conference rooms, sales meetings, employee or client gifts, leadership teams, board of director recognition, safety programs, anniversaries and many more opportunities.

Ask about our custom eco-friendly gift packaging capabilities! It's the final touch as you build and strengthen your brand in the minds of employees and customers.

Contact your representative to learn how you can cast your eye-catching brand in stoneware to leave a permanent and lasting impression.



3-Step Customization Process

1. Select a product style.

The minimum order for customization is 48 pieces.
You may choose up to 2 styles within a 48-piece order.

2. Select a glaze color.

Choose up to 2 glaze colors within the 48 pieces.

3. Send us your artwork

Vector Adobe Illustrator® file preferred.



Our graphic team creates an electronic virtual proof to ensure the intricate details of your artwork reproduces perfectly in clay. Once we receive your approval, our production artists will carefully handcraft your order – piece by piece; then package and ship to your specifications.

Table of Contents

Page

• Mugs	3 - 5
• Steins	6 - 7
• Pen & Pencil Holders	8
• Coasters	9
• Ornaments	10
• Packaging	11
• Terms & Conditions	12



Reinforce Your Image in the Boardroom

Communicate market leadership when setting your image in stone. Solidify your public image when using stoneware mugs in conference rooms – or for Board of Director recognition.



CM-12 | Wide Mouth

4-3/4" tall | Shown in Red

Decoration Area: Front has right-side handle
Decoration Information: Price includes clay medallion in 1 location
Glaze color: 40+ single/two-tone colors available. Request Glaze Chart.
Neoprene Pad: Contact your sales representative for pricing.
Standard Production Time: 4-6 weeks after art approval. Production time can increase up to 10-12 weeks during peak holiday months.
Packaging: Bulk — 12 per case, approx. 18 lbs. per case
Standard Rush Orders: 15 business days after art approval; 35% upcharge. Rush charges also applied with approved ship date during peak holiday months.

16oz.



CM-25 | Java Taster

4-1/2" tall | Shown in Canyon Grey



CM-13 | Straight Shot

5" tall | Shown in Stormy Blue

Request our glaze chart to view our full line of (40+) beautiful colors



Attractive, Functional & Timeless Gifts ♦ Made in USA
 100% lead free, FDA & Proposition 65 compliant.
 Individually handcrafted by American artisans.

Dishwasher, microwave and oven safe ♦ usamadestonewaremugs.com

Create an Attractive and Functional Desktop Billboard

Customized with your logo, a stoneware mug will act as an attractive desk billboard for years to come. Reinforce your brand image at national sales meetings—and with employees and clients.

Decoration Area: Front has right-side handle

Decoration Information: Price includes clay medallion in 1 location

Glaze color: 40+ single/two-tone colors available. Request Glaze Chart.

Neoprene Pad: Contact your sales representative for pricing.

Standard Production Time: 4-6 weeks after art approval. Production time can increase up to 10-12 weeks during peak holiday months.

Packaging: Bulk — 12 per case, approx. 18 lbs. per case

Standard Rush Orders: 15 business days after art approval; 35% upcharge.

Rush charges also applied with approved ship date during peak holiday months.

14oz.



CM-9 | Renaissance Voyager
4-3/4" tall | Shown in Frothy Brown



CM-2 | Executive Slim
4-1/4" tall | Shown in Copperhead Run



CM-35 | Bottom's Up
4" tall | Shown in Root Beer Float



CM-4 | Wide Belly
4" tall | Shown in Brilliant Blue



CM-14 | Hilltop Chili Mug
3" tall | Shown in Natural Clear

Attractive, Functional & Timeless Gifts ♦ Made in USA

100% lead free, FDA & Proposition 65 compliant.

Individually handcrafted by American artisans.

Dishwasher, microwave and oven safe ♦ usamadestoneware.com



Generate an Emotional Attachment with Your Brand

These timeless coffee mugs are as delightful to hold, as they are to use! Build an emotional attachment to your brand while enjoying a fresh cup of coffee.



CM-20 | Top O' the Mornin'

4-1/2" tall | Shown in Desert Night

Decoration Area: Front has right-side handle
Decoration Information: Price includes clay medallion in 1 location
Glaze color: 40+ single/two-tone colors available. Request Glaze Chart.
Neoprene Pad: Contact your sales representative for pricing.
Standard Production Time: 4-6 weeks after art approval. Production time can increase up to 10-12 weeks during peak holiday months.
Packaging: Bulk — 12-18 per case, approx. 18-24 lbs. per case
Standard Rush Orders: 15 business days after art approval; 35% upcharge. Rush charges also applied with approved ship date during peak holiday months.

12oz.

Add a set of
 'Made in America'
 coasters!
 See Page 9.



CM-6 | The Potbelly

3-1/2" tall | Shown in Lily Pad



CM-8 | Tom's Mug

3-1/2" tall | Shown in Midnight Madness



CM-9 | Shown in Red

Attractive, Functional & Timeless Gifts ♦ Made in USA
 100% lead free, FDA & Proposition 65 compliant.
 Individually handcrafted by American artisans.

Dishwasher, microwave and oven safe ♦ usamadestoneware.com

24 oz.

22 oz.

20 oz.

Trust a Sturdy Tall Stein to Tell Your Brand Story

Grab hold of these generous stoneware steins designed for your favorite micro, specialty and craft beers. Great for golf outings and sales incentive programs.

Decoration Area: Front has right-side handle

Decoration Information: Price includes clay medallion in 1 location

Glaze color: 40+ single/two-tone colors available. Request Glaze Chart.

Neoprene Pad: Contact your sales representative for pricing.

Standard Production Time: 4-6 weeks after art approval. Production time can increase up to 10-12 weeks during peak holiday months.

Packaging: Bulk — 12 per case, approx. 22 lbs. per case

Standard Rush Orders: 15 business days after art approval; 35% upcharge.

Rush charges also applied with approved ship date during peak holiday months.

24oz.



BM-1 | Tall Boy Tap
6" tall | Shown in Sunfire Red

22oz.



BM-2 | Ale House Barrel
5-1/2" tall | Shown in Sandstorm

20oz.



BM-3 | Double Barrel
5" tall | Shown in Glacier Frost
* Dual medallion not available *

Attractive, Functional & Timeless Gifts ♦ Made in USA
100% lead free, FDA & Proposition 65 compliant.
Individually handcrafted by American artisans.

Dishwasher, microwave and oven safe ♦ usamadestonewaremugs.com



Strengthen Your Image with Durable Stoneware

Leave a lasting impression when using for incentive programs, sales meetings, loyalty programs and corporate gifts. Accessorize your stoneware with a set of coasters.



BEST SELLER

BM-7 | Dale Barrel
4-1/2" tall | Shown in Galaxy Night

Decoration Area: Front has right-side handle
Decoration Information: Price includes clay medallion in 1 location
Glaze color: 40+ single/two-tone colors available. Request Glaze Chart.
Neoprene Pad: Contact your sales representative for pricing.
Standard Production Time: 4-6 weeks after art approval. Production time can increase up to 10-12 weeks during peak holiday months.
Packaging: Bulk — 12 per case, approx. 20-22 lbs. per case
Standard Rush Orders: 15 business days after art approval; 35% upcharge. Rush charges also applied with approved ship date during peak holiday months.

16oz.



BM-12 | Speakeasy
5-1/4" tall | Shown in Midnight Black

OVEN, MICROWAVE
• Handcrafted in the U.S.A. •
DISHWASHER SAFE

Request our glaze chart to view our full line of (40+) beautiful colors



G-20

G-5

G-40

G-3

G-42

G-10

G-27

G-44

G-29



Attractive, Functional & Timeless Gifts ♦ Made in USA
100% lead free, FDA & Proposition 65 compliant.
Individually handcrafted by American artisans.

Dishwasher, microwave and oven safe ♦ usamadestoneware.com

Add a Desk Billboard to your Office Décor

Celebrate anniversary events, create loyalty programs and recognize safety achievements with hand thrown pen and pencil holders customized with your logo.

Decoration Information: Price includes clay medallion in 1 location
 Glaze color: 40+ single/two-tone colors available. Request Glaze Chart.
 Neoprene Pad: Contact your sales representative for pricing.
 Standard Production Time: 4-6 weeks after art approval. Production time can increase up to 10-12 weeks during peak holiday months.
 Packaging: Bulk — 12 per case, approx. 18 lbs. per case
 Standard Rush Orders: 15 business days after art approval; 35% upcharge.
 Rush charges also applied with approved ship date during peak holiday months.

BEST SELLER



Add a set of
 'Made in America'
 coasters!
 See Page 9.

DW-4 | Caddy Daddy
 5" tall | Shown in Summer Time Blues



Use in an office for a useful pen/pencil holder or around the home as a beautiful organizing container.

Request our glaze chart to view our full line of (40+) beautiful colors



G-11

G-49

G-80

G-45

G-34

G-38

G-31

G-47

G-50

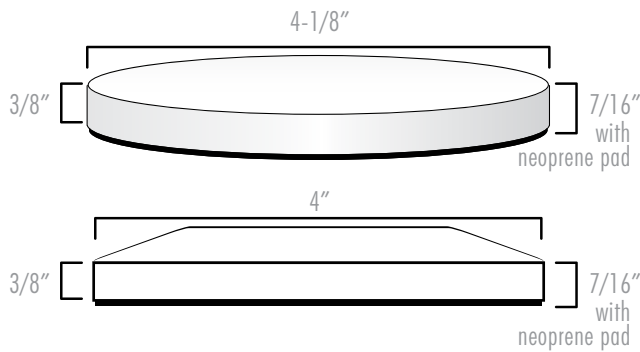
Attractive, Functional & Timeless Gifts ♦ Made in USA
 100% lead free, FDA & Proposition 65 compliant.
 Individually handcrafted by American artisans.

Dishwasher, microwave and oven safe ♦ usamadestoneware.com



Absorb Your Image with UnderWare™ Branded Coasters

Promote your brand while protecting your desktop when matching our timeless stoneware with the beauty of our absorbent coasters. Available in three colors. Soft neoprene pad base for surface protection included. May be ordered in quantities as low as 36 pieces.



Decoration Area: 3-3/4"
 Decoration Information: Price includes 1 artwork
 Color: 3 colors to choose from: Snow White, Desert Sand, Rock Tan
 Imprint: 1 or full-color RGB
 Production Time: 2-3 weeks after art approval
 Packaging: Bulk — 24-75 per case, 10-24 lbs. per case;
 White boxes available for set of 4.

COASTERS



UW-1 | Snow White
 4-1/8" diameter x 7/16" high



UW-2 | Desert Sand
 4-1/8" diameter x 7/16" high



UW-3 | Rock Tan
 4-1/8" diameter x 7/16" high



UW-5 | Square Snow White
 4" x 7/16" high



UW-4 | White Box

ORN-1
 Snow White

ORN-2
 Desert Sand

ORN-3
 Rock Tan

Attractive, Functional & Timeless Gifts ♦ Made in USA
usamadestoneware.com



Brighten Up Your Holidays with Stone Ornaments

One-of-a-kind stone ornaments — designed to beautify your business while building brand awareness! Print one or both sides! Second-side artwork can repeat the front side image, be utilized with mission statements, sales meeting themes, interpretive text, etc.

Decoration Area: 3-1/8"

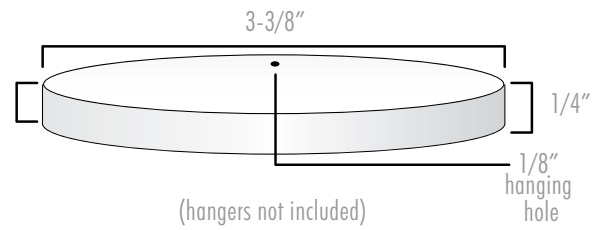
Decoration Information: Price includes 1 artwork

Color: 3 colors to choose from: Snow White, Desert Sand, Rock Tan

Imprint: 1 or full-color RGB

Production Time: 2-3 weeks after art approval

Packaging: Bulk — 24-75 per case, 10-24 lbs. per case
Includes 1/8" hanging hole. Hangers not included.



ORNAMENTS



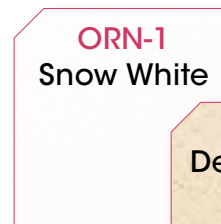
ORN-1 | Snow White



ORN-2 | Desert Sand



ORN-3 | Rock Tan



Attractive, Functional & Timeless Gifts ♦ Made in USA
usamadestoneware.com



Protective Packaging

Our standard packaging is custom-designed and 100% eco-friendly to protect your personalized pieces. Depending on the product style, we bulk package 12-18 pieces to a carton. All of our packaging is recyclable.

For an additional cost, we offer single or double mug Kraft packaging with protective inserts as shown—we can also insert a personalized notecard.

Contact your representative for gift packaging.

BX-1 | Individual Kraft Box

8" x 6" x 5"



BX-2 | Double Kraft Box

15 1/2" x 6 5/8" x 5 3/8"



Bulk Kraft Box

17" x 14" x 12"



Attractive, Functional & Timeless Gifts ♦ Made in USA
usamadestonewaremugs.com



Terms & Conditions / General Information

Artwork Approval Emailed

A free virtual proof (sample shown) will be emailed for signature approval prior to proceeding with the order.

Artwork Set-Up Charge

A one-time set-up fee is charged for new artworks. No set-up fee is charged when reusing the same artwork on the future orders.

Artwork Submissions

Preferred format for artwork is a vector Adobe Illustrator® file with fonts converted to outlines.

Color & Size Variances

All of our stoneware pieces are handmade and subject to variation in size, color and glaze consistency. Glaze colors are created from natural ingredients including minerals, oxides and metals derived from the earth. Due to the nature of the materials and the variance in hand thrown products, color variation within an order—or from order to order is common. Pieces that are within +/- 1 oz. are considered acceptable.

Disclaimer

Designs and logos illustrated in this catalog are reproduced for display purposes only. They do not imply or suggest endorsement of such trademark or that the item was originally produced for the owner of such mark.

Drop Shipments

Shipments to multiple locations, all occurring at the same time are free of charge. Freight charges apply. A drop ship address list must be provided prior to the start of production. Address list must be on an Excel spreadsheet with separate columns for the distributor company name, purchase order number, ship to name, address 1, address 2, city, state, zip and quantity per ship location.

Minimum Order

A minimum order of 48 pieces is required. Up to 2 styles and 2 glaze colors may be ordered within a 48-piece order.

Overrun & Underrun Policy

Every effort is made to ship the exact quantity ordered. Orders within a variance of +/-10% are complete and will be shipped and invoiced.

Prices

All prices are subject to change without notice. Contact your representative for current pricing.

Payment/Terms

A down payment of 100% is required when placing an order. We accept MasterCard, Visa, and American Express. A company check is required on orders of \$2,000 or more.

Production Time

Standard production time is 4-6 weeks and begins with the receipt of a complete purchase order and signed artwork approval. During peak seasonal periods (Sept-Dec), production time can increase up to 10-12 weeks. Please call your representative for holiday shipping deadlines.

Returned Items

Customized items cannot be returned.

Rights to Promotion

Unless indicated on P.O. or in writing, we reserve the right to use any items we produce in our displays, catalogs, ad or any promotional material.

Rush Orders

Rush orders can be shipped in 15 business days and are subject to a 35% upcharge. During peak seasonal periods (Sept-Dec), production time can increase up to 10-12 weeks. Rush orders during our peak season periods will be subject to 35% upcharge with approved ship date from your representative.

Sample Requests

Random imprinted samples are available for a fee. Charge is \$15.00 for 1 product sample; \$25.00 for 2-3 samples; \$50.00 for 4-6 samples; plus packaging/shipping. We prefer to use your UPS# to charge packaging/shipping fees, however samples can ship on our UPS account and we'll invoice the packaging/shipping fees. We reserve the right to choose the samples you receive based on our inventory.

Shipping Method

All orders are shipped UPS ground unless otherwise noted on the purchase order. Catalog item weights are approximate and are subject to change without notice. Please contact customer service for freight quotes.

Standard Packaging

Orders are bulk boxed in custom-designed, 100% eco-friendly protective packaging. Depending on the product style, we typically package 12-18 pieces to a carton. Individual packaging is available for an additional cost.

Terms & Conditions

By placing an order, you agree to our terms and conditions. Our terms and conditions are subject to change without notice.

Third-Party Shipments

There is a \$5.00/box fee for this service.





We've designed our processes to hand throw attractive, functional and timeless pieces made to last a lifetime.



Talented.
Impressive. Artists.

You'll feel the faint clay ripples left by the potter's hand—see the rich, earthy glaze color that brings the piece to life.



Speed. Firepower.
Capacity.

We can ship in as little as 4 weeks after approved artwork!



Your brand tells a story.
Share your story on
USA made stoneware.

